

KL-23 F

HIGH PRECISION FIBER CLEAVER

Description

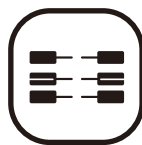
- Traditional bench top design, simple and easy to use
- Typical cleave angle 0.5°
- Applicable to 250um 3.0mm fiber cable and flat cable
- Double fiber holders
- Blade life 48.000 cleaves
- Large capacity waste fiber bin, reduce pollution and scratches



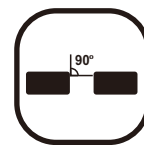
Hand held
design



48000
blade life



Double
fiber holders



$<0.5^{\circ}$
cleaved angle



Fiber
offcut bin

KL-23 F

HIGH PRECISION FIBER CLEAVER

Main features



Silicone pressure pad can effectively hold down the fiber.



Applicable to 250um, 900um 3.0mm fiber cable and flat cable



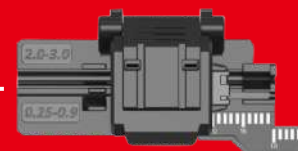
Tungsten steel refined blade wear resistance, high hardness, corrosion resistance,



Large capacity waste fiber bin



Double Fiber Holder

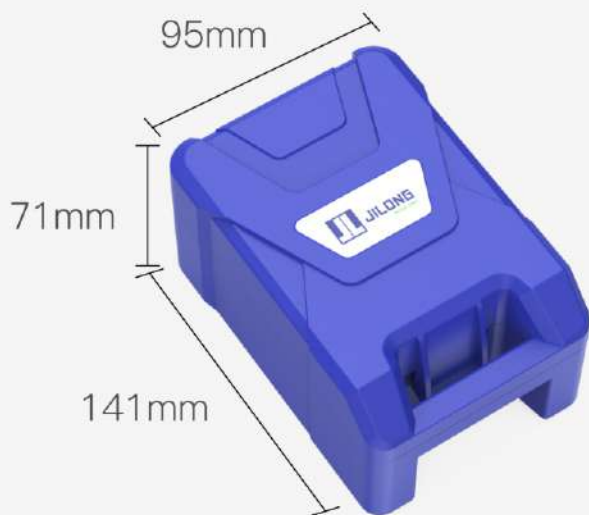


Applicable to 250um, 900um, 3.0mm fiber cable and flat cable



Special carrying case

The card slot in the box is designed to effectively protect the cleaver body from damage



Product display



■ Specifications

Fiber material	Silica glass
Cladding diameter	125 μm
Cleaved length	Single fiber: 8~20mm / Ribbon fiber: 10mm
Applicable fiber cable	Single fiber: 250μm, 900μm, 3.0mm; Fiber cable and flat cable Ribbon fiber: 2 to 12 ribbon fiber cable
Typical cleaved angle	Less than 0.5° ★①
Typical blade life	Total 48,000 fiber cleaves (replaceable) ★②
Off-cut collector	Pre-fitted
Type of offcut bin	Manual
Auto return	Pre-fitted
Fiber holder	Double Fiber Holders
Dimension	63W *77D*63H(mm)
Weight	335g

★① Cleaved angel may vary depending on the operating environment.

★② Blade life is not guaranteed. It may vary depending on the operating environment.